

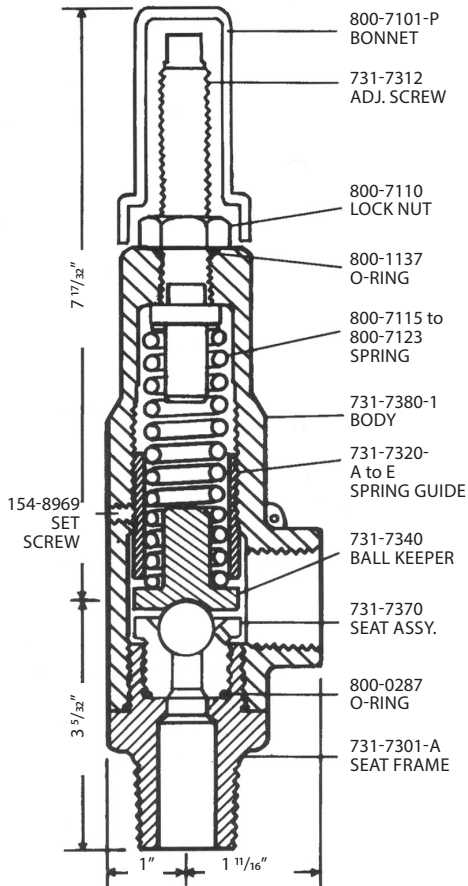
# 1" GAS VALVE



## 731-1-G

**Pressure: 15-2500#**  
(Non-code Below 25#)

**Volume: to 2662 CFM**



**INLETS AVAILABLE:** Male NPT 1"; Female NPT 1", 3/4", 1/2"

**OUTLET:** Female NPT 1"

**TEMPERATURE RANGE:** -20° to + 300°F

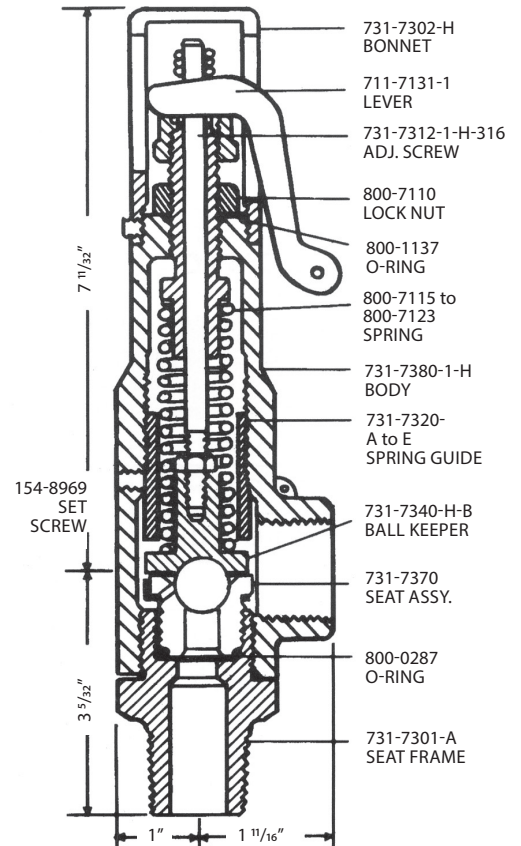
**BODY:** (Specify)  
DUCTILE IRON — Standard  
316 STAINLESS — Add "316" to Model #

**TRIM:** Stainless with 440 Stainless Ball  
Stainless with Sheralloy® Ball for 316 Stainless Valve

**MANUAL RELEASE LEVER:** Optional — Add "H" to Model #

**A.S.M.E. – UV, NB CERTIFIED (NON-CODE BELOW 25#)**

FIELD REPAIRS ARE EASILY MADE ON-SITE, REQUIRING NO SPECIAL TOOLS OR EQUIPMENT.



**APPLICATION:** Recommended for overpressure protection where buildup and blowdown must be held to a minimum. Designed to meet all requirements for protection of gathering lines, transmission systems, meter runs, gas manifolds, separators and refinery service.

**ASME-UV:** 1/2" ORIFICE = .196 SQ. IN., - 90% SLOPE = .963

DUCTILE IRON VALVE PART NUMBER	WORKING PRESSURE RANGE	CFM OF AIR AT MAXIMUM SETTING +10%
731-1-G-D-50	15 - 50#	50# = 67 CFM
731-1-G-D-225	50 - 225#	225# = 252 CFM
731-1-G-D-600	225 - 600#	600# = 650 CFM
731-1-G-D-1000	600 - 1000#	1000# = 1073 CFM
731-1-G-D-2000	1000 - 2000#	2000# = 2133 CFM
731-1-G-D-2500	2000 - 2500#	2500# = 2662 CFM