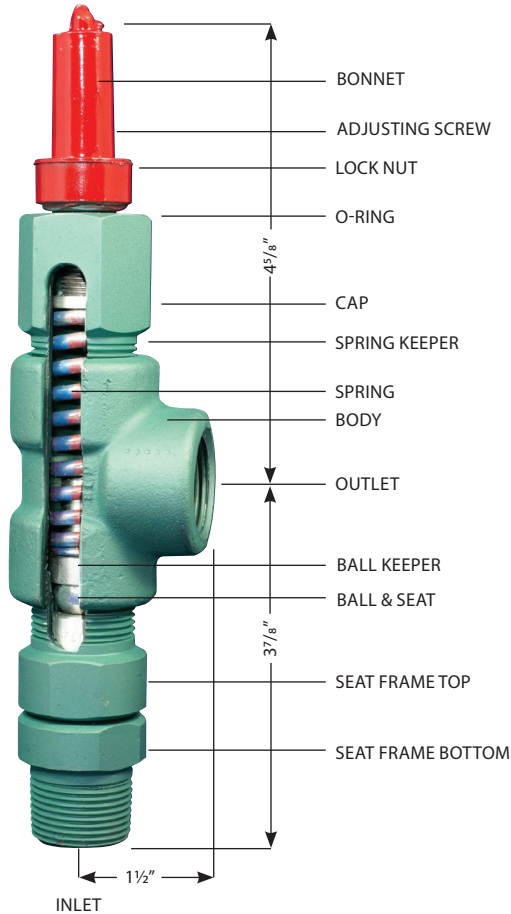




1" PRESSURE RELIEF VALVE BPR[®] BACK PRESSURE REGULATOR 715-7150

Medium Pressure ---- Pressure Control ---- Medium Volume



Designed as an inexpensive 1" steel pressure control valve. **May be used as a relief or back pressure valve.** This valve was patterned from our 7100 1" gas valve, but the ball and seat are more durable for more severe liquid service. May also be used for gas.

Body: 1" Carbon Steel or 316SS

Ball & Seat: Sheralloy[®] (Cobalt Base Alloy) or Stainless

Spring: Coil

Inlet: 1" Male NPT, 3/4" Male NPT, 1" Female NPT, 1/2" Female NPT or 1" Male-1/2" Female NPT

Outlet: 1" Female NPT

Manual Release Lever Also Available On Request

CARBON STEEL PART NUMBER	WORKING PRESSURE RANGE	COIL SPRING DIAMETER	SEAT ORIFICE DIAMETER
715-7150-100	10-100#	.091 Dia Wire	1/2"
715-7150-300	100-300#	125 Dia Wire	1/2"
715-7150-550	300-550#	162 Dia Wire	1/2"
715-7150-1000	550-1000#	187 Dia Wire	1/2"
715-7150-HP-225	10-225#	.091 Dia Wire	3/8"
715-7150-HP-600	225-600#	125 Dia Wire	3/8"
715-7150-HP-1100	600-1100#	162 Dia Wire	3/8"
715-7150-HP-2000	1100-2000#	187 Dia Wire	3/8"

MATERIAL SPECIFICATIONS:

- Standard valve is Carbon Steel valve.
- Add "316" to part number for 316 Stainless Steel valve.