

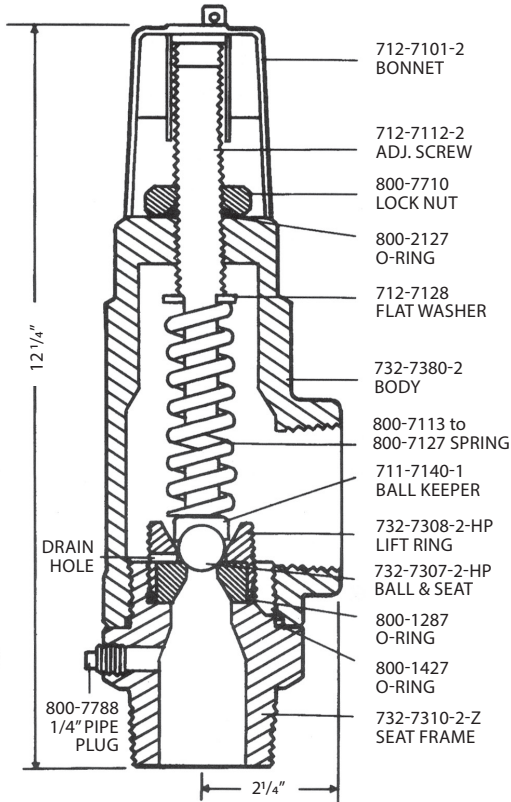


# 2" GAS VALVE

## 732-7100-2-GHP

**Pressure: 15-2500#**  
(Non-code Below 25#)

**Volume: to 6773 CFM**



**INLETS AVAILABLE:** Male NPT 2", 1-1/2"

**OUTLET:** Female NPT 2"

**TEMPERATURE RANGE:** -20° to +300°F

**BODY:** (Specify)  
DUCTILE IRON — Standard  
316 STAINLESS — Add "316" to Model #

**TRIM:** Stainless Steel

**Manual Release lever:** (not pictured)  
Optional — Add "H" to Model #

**A.S.M.E. – UV, NB CERTIFIED (NON-CODE BELOW 25#)**

**METAL-TO-METAL SEAL INSURES LONG RUNS UNDER ADVERSE CONDITIONS. FURNISHED WITH TAMPER-PROOF BONNET AND WIRE SEAL.**

**APPLICATION:** Recommended for overpressure protection on separators, compressor tanks, heater-treaters, gathering lines, transmission systems, meter runs, gas manifolds, refinery service and other gas systems.

FIELD REPAIRS AND PRESSURE SETTING ADJUSTMENTS ARE EASILY MADE ON-SITE WITHOUT SPECIAL TOOLS.

**ASME-UV:** 1/2" ORIFICE = .196 SQ. IN., - 90% SLOPE = 2.45

DUCTILE IRON VALVE PART NUMBER	WORKING PRESSURE RANGE	CFM OF AIR AT MAXIMUM SETTING +10%
732-7100-2-GHP-25	15 - 25#	25# = 103 CFM
732-7100-2-GHP-50	25 - 50#	50# = 170 CFM
732-7100-2-GHP-100	50 - 100#	100# = 305 CFM
732-7100-2-GHP-200	100 - 200#	200# = 575 CFM
732-7100-2-GHP-300	200 - 300#	300# = 844 CFM
732-7100-2-GHP-400	300 - 400#	400# = 1114 CFM
732-7100-2-GHP-550	400 - 550#	550# = 1518 CFM
732-7100-2-GHP-700	660 - 700#	700# = 1922 CFM
732-7100-2-GHP-800	700 - 800#	800# = 2192CFM
732-7100-2-GHP-900	800- 4900#	900# = 2461 CFM
732-7100-2-GHP-1100	900 - 1100#	1100# = 3000 CFM
732-7100-2-GHP-2000	1100 - 2000#	2000# = 5426 CFM
732-7100-2-GHP-2500	2000 - 2500#	2500# = 6773 CFM