

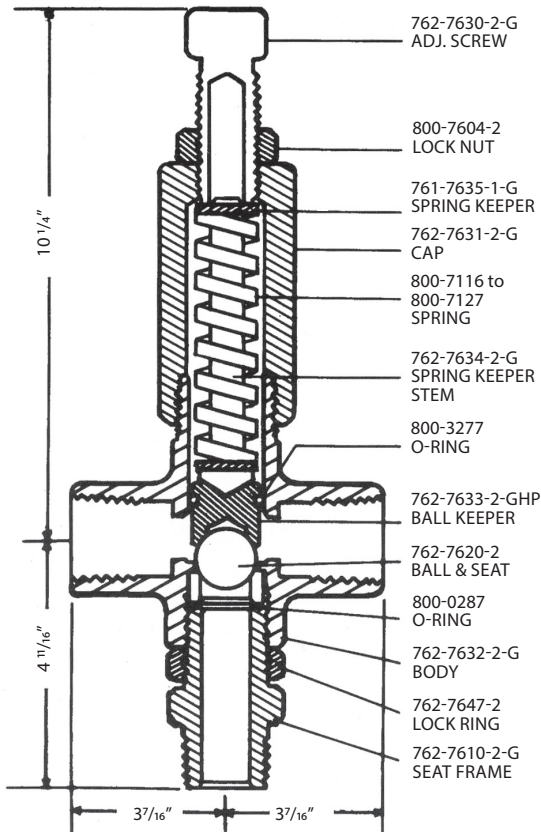
# 2" GAS VALVE



762-7601-2-G

Pressure: 20-2000#

Volume: to 12180 CFM



**INLET AVAILABLE:** Male NPT 2"

**OUTLET:** Female NPT 2"

**TEMPERATURE RANGE:** -65° to +300°F

**BODY:** Aluminum Bronze

**TRIM:** Sheralloy®

**LARGE CAPACITY. UNRESTRICTED FLOW AND POP-OPEN PLUNGER ACTION IS ASSURED BY FULL BORE INNER BODY, HIGH LIFT SPRINGS AND A TRIPLE SEAL SEAT.**

**APPLICATION:** Recommended for overpressure protection where buildup and blowdown must be held to a minimum. Designed to meet all protection requirements for gathering lines, transmission systems, meter runs, gas manifolds, separators and refinery service.

FIELD REPAIRS ARE EASILY MADE ON-SITE WITHOUT SPECIAL TOOLS. ADJUSTMENT SCREW AND A WIDE SELECTION OF SPRINGS ASSURES EXACT PRESSURE SETTINGS.

**RELIEVING CAPACITIES:** 1-1/8" ORIFICE = .944 SQ. IN., APPROX. 90% SLOPE = 12

ALUMINUM-BRONZE PART NUMBER	WORKING PRESSURE RANGE	CFM OF AIR AT MAXIMUM SETTING +10%
762-7601-2-G-50	20 - 25#	50# = 836 CFM
762-7601-2-G-100	50 - 100#	100# = 1496 CFM
762-7601-2-G-150	100 - 150#	150# = 2156 CFM
762-7601-2-G-200	150 - 200#	200# = 2816 CFM
762-7601-2-G-250	200 - 250#	250# = 3176 CFM
762-7601-2-G-300	250 - 300#	300# = 4136 CFM
762-7601-2-G-600	300 - 600#	600# = 8096 CFM
762-7601-2-G-900	600 - 900#	900# = 12056 CFM
762-7601-2-G-1200	900 - 1200#	1200# = 16016 CFM
*762-7601-2-GHP-2000	1200 - 2000#	2000# = 12180 CFM

\*(3/4" ORIFICE — .90% SLOPE 5.5)