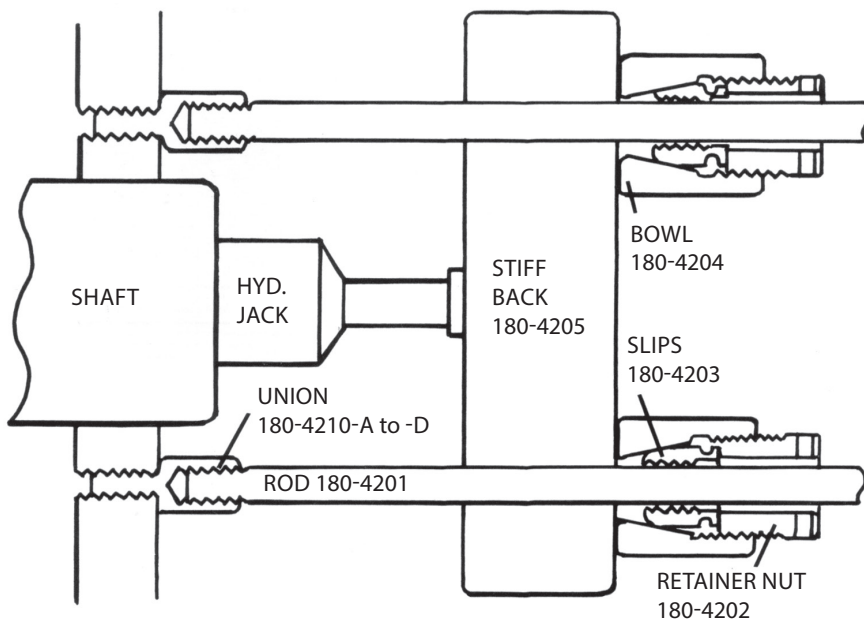
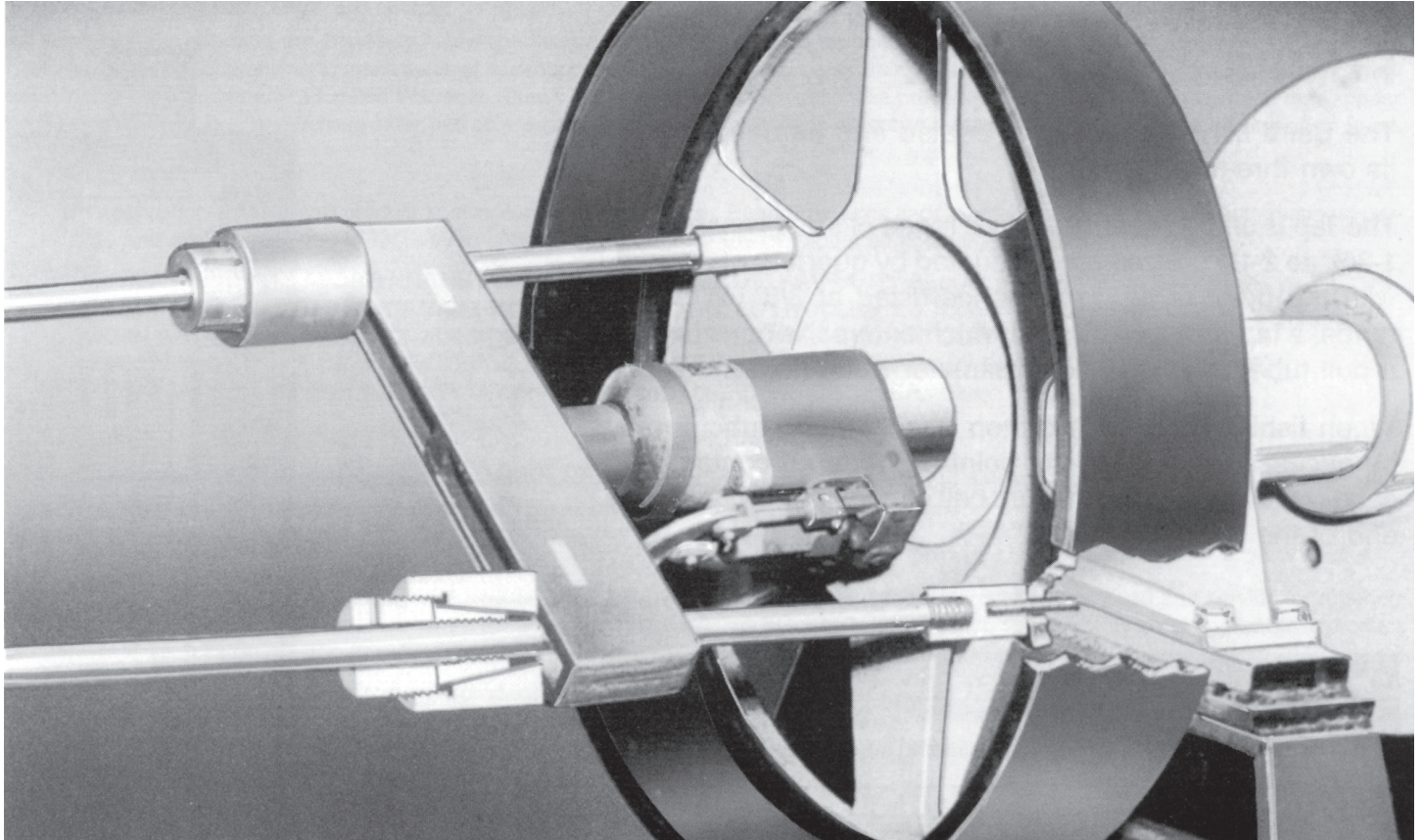


HUB PULLER SET



180 4200 HUB PULLER COMPLETE:

- 180-4201** Puller Rods (Set of 2)
- 180-4202** Retainer Nuts (Set of 2)
- 180-4203** Slips (Set of 2)
- 180-4204** Bowls (Set of 2)
- 180-4205** Stiff Back (1)
- 180-4210-A** 1/2" Union (Set of 2)
- 180-4210-B** 5/8" Union (Set of 2)
- 180-4210-C** 3/4" Union (Set of 2)
- 180-4210-D** 7/8" Union (Set of 2)
- 180-4208** Wooden Box (1)