



# ON AND OFF SUCKER ROD COUPLER

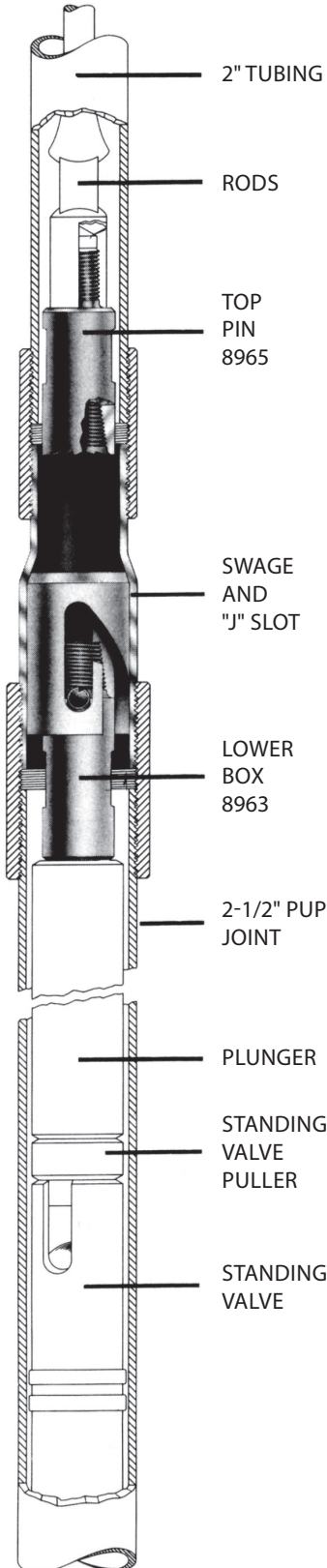
FOR OVERSIZE STATIONARY BARREL PUMPS

## FOR PULLING A DRY STRING OF TUBING

The ON and OFF SUCKER ROD COUPLER (left hand threads) allows the pulling of the rod string; thus preventing a stripping job and permitting you to pull a dry string of tubing. This tool enables you to lift the pump from the seating nipple and hang it in the J-slot; permitting the oil to drain from the tubing.

At this point the rods can be unscrewed at the pump and removed, then the tubing with the pump may be removed without the oil. This ON and OFF SUCKER ROD COUPLER is strictly for over-sized stationary barrel pumps, i.e., pumps larger than the tubing.

COMPLETE AND SIMPLE INSTRUCTIONS FOR THIS OPERATION ON PAGE 10.



| PART NO.       | PART NAME                                   | COMPLETE TOOL PART NO. |              | SUB-ASSEMBLY PART NO. |                  |                |            | APPROXIMATE WEIGHT |
|----------------|---|------------------------|--------------|-----------------------|------------------|----------------|------------|--------------------|
|                |   | 154-8950-2             | 154-8950-2-L | 154-8950-2.5-A        | 154-8950-2.5-A-L | 154-8950-2.5-B | 154-8951-2 |                    |
| 154-8955-2     | 2" TOP PIN SUB 3/4" S/R (1-1/16" PIN)       | X                      | X            |                       |                  |                |            | 2.5                |
| 154-8955-2.5-A | 2-1/2" TOP PIN SUB 3/4" S/R (1-1/16" PIN)   |                        |              | X                     | X                |                |            | 3.25               |
| 154-8955-2.5-B | 2-1/2" TOP PIN SUB 7/8" S/R (1-3/16" PIN)   |                        |              |                       |                  | X              | X          | 3.25               |
| 154-8956       | TRIP SPRING                                 | X                      | X            | X                     | X                | X              | X          | .05                |
| 154-8957       | TRIP GUIDE BUSHING W/2 SET SCREWS           | X                      | X            | X                     | X                | X              | X          | .10                |
| 154-8960-2     | 2" PROJECTING DOG                           | X                      | X            |                       |                  |                | X          | .10                |
| 154-8960-2.5   | 2-1/2" PROJECTING DOG                       |                        |              | X                     | X                | X              | X          | .20                |
| 154-8963-2     | 2" LOWER BOX SUB 3/4" S/R (1-1/16" BOX)     | X                      | X            |                       |                  |                | X          | 2.50               |
| 154-8963-2.5-A | 2-1/2" LOWER BOX SUB 3/4" S/R (1-1/16" BOX) |                        |              | X                     | X                |                | X          | 3.75               |
| 154-8963-2.5-B | 2-1/2" LOWER BOX SUB 7/8" S/R (1-3/16" BOX) |                        |              |                       |                  | X              | X          | 3.75               |
| 154-8965-2     | 2" SWAGE AND J-SLOT                         | X                      |              |                       |                  |                |            | 6.50               |
| 154-8965-2.5   | 2-1/2" SWAGE AND J-SLOT                     |                        |              | X                     |                  |                |            | 9.50               |

| 2" ON & OFF SUCKER ROD COUPLERS AVAILABLE: |   |
|--|---|
| 154-8950-2                                 | 2" ON & OFF S/R COUPLER WITH 3/4" (1-1/16") B & P COMPLETE            |
| 154-8950-2-L                               | 2" ON & OFF S/R COUPLER WITH 3/4" (1-1/16") B & P LESS SWAGE & J-SLOT |

| 2" ON & OFF SUCKER ROD SUB-ASSEMBLY AVAILABLE: |   |
|--|---|
| 154-8951-2                                     | 2" LOWER BOX ASSEMBLY WITH 3/4" (1-1/16") BOX |

| 2-1/2" ON & OFF SUCKER ROD COUPLERS AVAILABLE: |   |
|--|---|
| 154-8950-2.5-A                                 | 2-1/2" ON-OFF S/R COUPLER WITH 3/4" (1-1/16") B & P                     |
| 154-8950-2.5-A-L                               | 2-1/2" ON-OFF S/R COUPLER WITH 3/4" (1-1/16") B & P LESS SWAGE & J-SLOT |
| 154-8950-2.5-B                                 | 2-1/2" ON-OFF S/R COUPLER WITH 7/8" (1-3/16") B & P                     |
| 154-8950-2.5-B-L                               | 2-1/2" ON-OFF S/R COUPLER WITH 7/8" (1-3/16") B & P LESS SWAGE & J-SLOT |

| 2-1/2" ON & OFF SUCKER ROD SUB-ASSEMBLIES AVAILABLE: |   |
|--|---|
| 154-8951-2.5-A                                       | 2-1/2" LOWER BOX ASSEMBLY WITH 3/4" (1-1/16") BOX |
| 154-8951-2.5-B                                       | 2-1/2" LOWER BOX ASSEMBLY WITH 7/8" (1-3/16") BOX |

# ON AND OFF SUCKER ROD COUPLER

FOR OVERSIZE STATIONARY BARREL PUMPS



| SPECIFICATIONS                      |              |                  |                  |
|-------------------------------------|--------------|------------------|------------------|
| SIZE OF TUBING TO BE RUN THROUGH    | 2"           | 2-1/2" UP        | 2-1/2" UP        |
| SUCKER ROD THREAD SIZE              | 3/4" S/R     | 3/4" S/R         | 7/8" S/R         |
| BOX & PIN SIZE                      | 3/4" S/R     | 3/4" S/R         | 7/8" S/R         |
| MAX. DIAMETER OF COUPLER            | 1-13/16"     | 2-1/8"           | 2-1/8"           |
| LENGTH OF TOP PIN SUB (SEE #A)      | 5"           | 5"               | 5"               |
| LENGTH OF LOWER BOX SUB (SEE #B)    | 5-3/8"       | 5-3/8"           | 5-3/8"           |
| OD OF TOP PIN SUB (SEE #C)          | 1-13/16"     | 2-1/8"           | 2-1/8"           |
| OD OF LOWER BOX SUB (SEE #D)        | 1-13/16"     | 2-1/8"           | 2-1/8"           |
| OVERALL LENGTH OF TOOL              | 10-3/8"      | 10-3/8"          | 10-3/8"          |
| OVERALL LENGTH OF SWAGE             | 9"           | 9"               | 9"               |
| PART NUMBERS                        |              |                  |                  |
| COMPLETE TOOL                       | 154-8950-2   | 154-8950-2.5-A   | 154-8950-2.5-B   |
| WEIGHT OF COMPLETE TOOL             | 12#          | 17#              | 17#              |
| TOOL LESS SWAGE AND 'J' SLOT        | 154-8950-2-L | 154-8950-2.5-A-L | 154-8950-2.5-B-L |
| TOOL WEIGHT LESS SWAGE AND 'J' SLOT | 5.5#         | 7.5#             | 7.5#             |
| PARTS                               |              |                  |                  |
| TOP PIN SUB                         | 154-8955-2   | 154-8955-2.5-A   | 154-8955-2.5-B   |
| TRIP SPRING                         | 154-8956     | 154-8956         | 154-8956         |
| TRIP GUIDE BUSHING W/2 SET SCREWS   | 154-8957     | 154-8957         | 154-8957         |
| PROJECTING DOG                      | 154-8960-2   | 154-8960-2.5     | 154-8960-2.5     |
| LOWER BOX SUB                       | 154-8963-2   | 154-8963-2.5-A   | 154-8963-2.5-B   |
| SWAGE & 'J' SLOT                    | 154-8965-2   | 154-8965-2.5     | 154-8965-2.5     |

